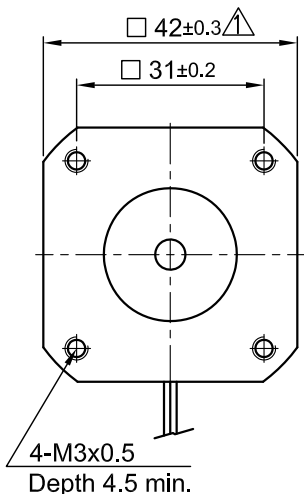
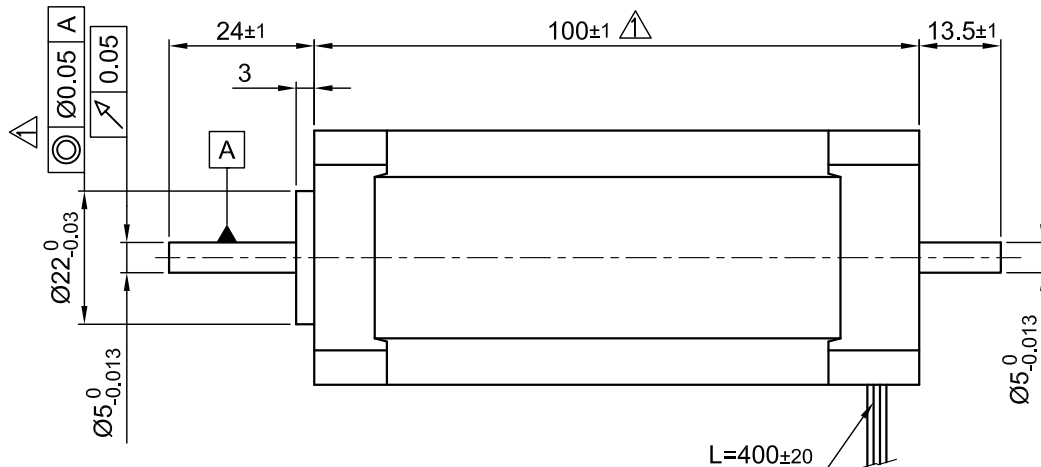


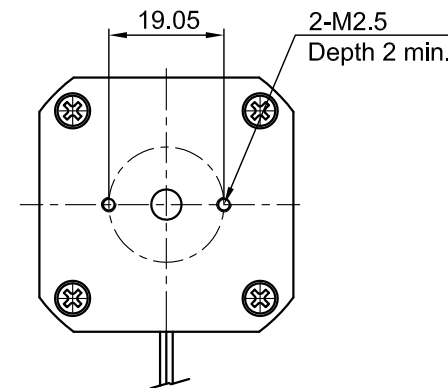
Front view and mounting



Side view

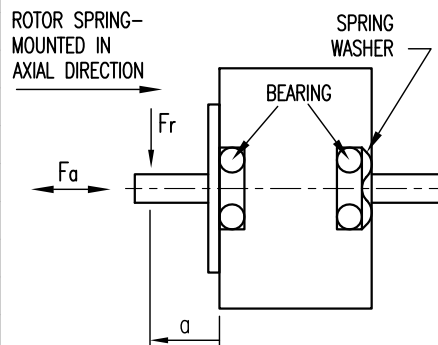


Rear view



SPECIFICATION	CONNECTION	DELTA
NO. OF POL./PHASE		8/3
VOLTAGE RATED		48
CURRENT NO LOAD/RATED/PEAK (AMP)		0.4/4.63/13.89
RESISTANCE/PHASE TO PHASE (Ohms) @25°C		0.58±15% $\Delta$
INDUCTANCE/PHASE TO PHASE (mH) @1KHz		1.21±20%
TORQUE RATED/PEAK (Nm) [lb-in]		0.25/0.75 [2.213/6.638]
TORQUE CONSTANT (Nm/A)		0.054 $\Delta$
POWER RATED (W)		157 $\Delta$
SPEED RATED/NO LOAD (RPM)		6000/8500
ROTOR INERTIA (Kg-m <sup>2</sup> ) [lb-in <sup>2</sup> ]		8.86x10 <sup>-6</sup> [3.03x10 <sup>-2</sup> ] $\Delta$
WEIGHT (Kg) [lb]		0.75 [1.654]
TEMPERATURE RISE: MAX.80°C		
AMBIENT TEMPERATURE -10°~ 50°C [14°F ~ 122°F]		
INSULATION RESISTANCE 100 MOhm (UNDER NORMAL TEMPERATURE AND HUMIDITY)		
INSULATION CLASS B 130° [266°F]		
DIELECTRIC STRENGTH 500VAC FOR 1 MIN. (BETWEEN THE MOTOR COILS AND THE MOTOR CASE)		
AMBIENT HUMIDITY MAX. 85% (NO CONDENSATION)		

PERMISSIBLE RADIAL+AXIAL FORCE



AXIAL-FORCE Fa (N)	Fa=10	
DISTANCE a (mm)	20	
RADIAL-FORCE Fr (N)	28	
SHAFT PLAY (mm)	AXIAL	RADIAL
	0.08	0.02
AT LOAD MAX: (N)	4.5	4.5

WIRING DIAGRAM		LEAD GAUGE	
COLOR	FUNCTION	Dir. $\longleftrightarrow$	
MOTOR 8 POL.	YEL U X HI HI X LOW LOW	$\Delta$ UL1430 AWG20	
	RED V HI X LOW LOW X HI		
	BLK W LOW LOW X HI HI X		
HALL 24 IMPL. REV.	RED +5V	$\Delta$ UL1430 AWG26	
	BLU H1 0 0 0 1 1 1		
	WHT H2 0 1 1 1 0 0		
	GRN H3 1 1 0 0 0 1		
	BLK GND		

DELTA CONNECTING PHASE A YEL

6	CHANGE ROTOR INERTIA	08.09.15	A.S.
5	CHANGE POWER RATED	16.06.15	A.S.
4	UPDT. DATA	27.10.14	J.D.
REV	DESCRIPTION	DATE	DRN

**Nanotec**  
PLUG & DRIVE

DB42C01

SCALE FREE	APVD	S.Ha.	19.06.07
X ±0.5	CHKD		
1PL ±0.2	DRN	J.W.	10.11.06
2PL ±0.1	SIGNATURE	DATE	
ANGLE ±30'			

**BRUSHLESS DC MOTOR**

DWG.NO

DB42C01